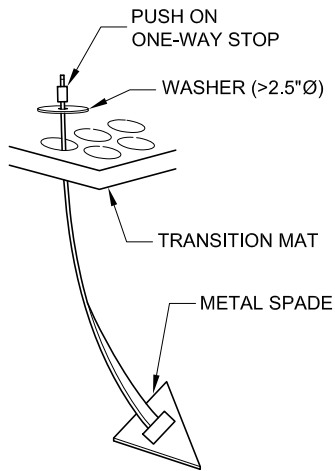
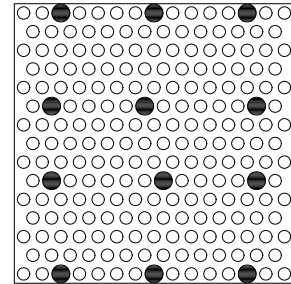


NON-COHESIVE SOILS SCOURSTOP TRANSITION MAT INSTALLATION DETAILS



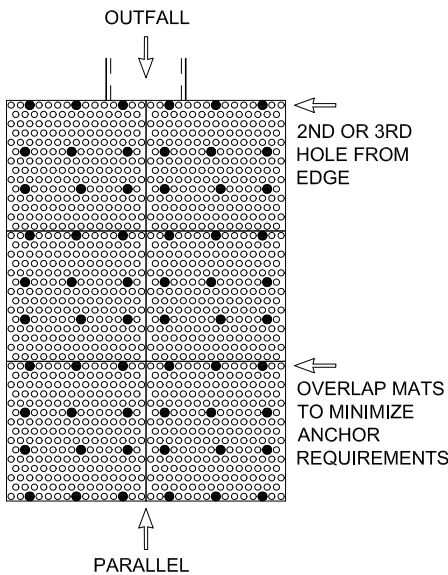
PIPE DIAMETER	DISCHARGE (CFS)	SCOURSTOP WIDTHxLENGTH
12"	8	4' x 4'
24"	30	4' x 8'
36"	75	8' x 12'
48"	100	12' x 16'
60"	150	12' x 20'
72"+		SEE DETAILS

SHORELINE PROTECTION:

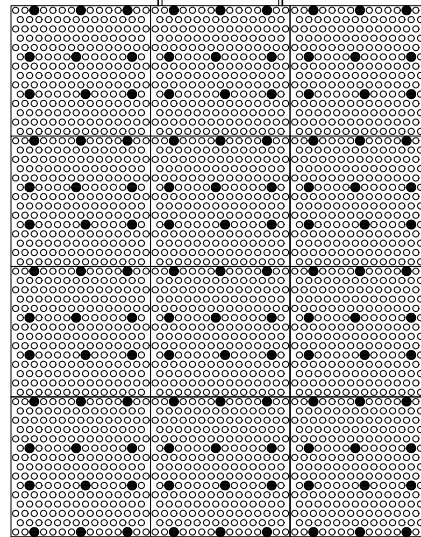


ANCHOR CONFIGURATION FOR SLOPES STEEPER THAN 5:1; TRANSITION MATS OVER A MIN. 8 OZ. GEOTEXTILE

ADD EXTRA ANCHORS IF NECESSARY TO ENSURE CONSISTENT CONTACT WITH SOIL, OR IMPROVE SOIL SURFACE SMOOTHNESS.



PIPE OR CURB OUTFALL



POSITION ANCHORS TO SECURE SCOURSTOP MATS FLUSH WITH SOIL SURFACE. MINIMIZE GAPS OR BRIDGING.

ANCHOR REQUIREMENTS*:
- MINIMUM OF 12 ANCHORS INCLUDING OVERLAP ROW

*TO ACHIEVE CONSISTENT CONTACT WITH THE SOIL, EXCEED THE MINIMUM ANCHOR REQUIREMENT AT INSTALLATION.

