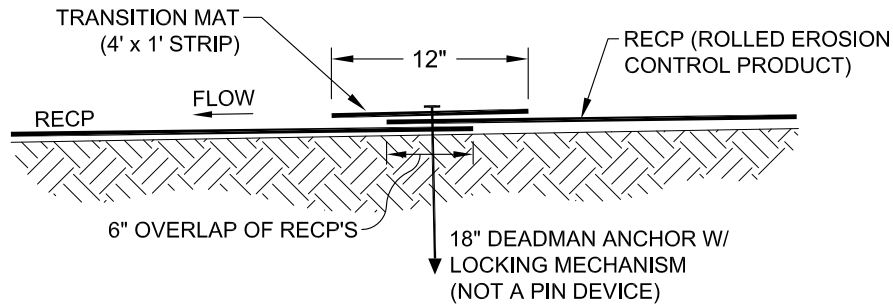


# INTERMITTENT CHECK SLOT ALTERNATIVE

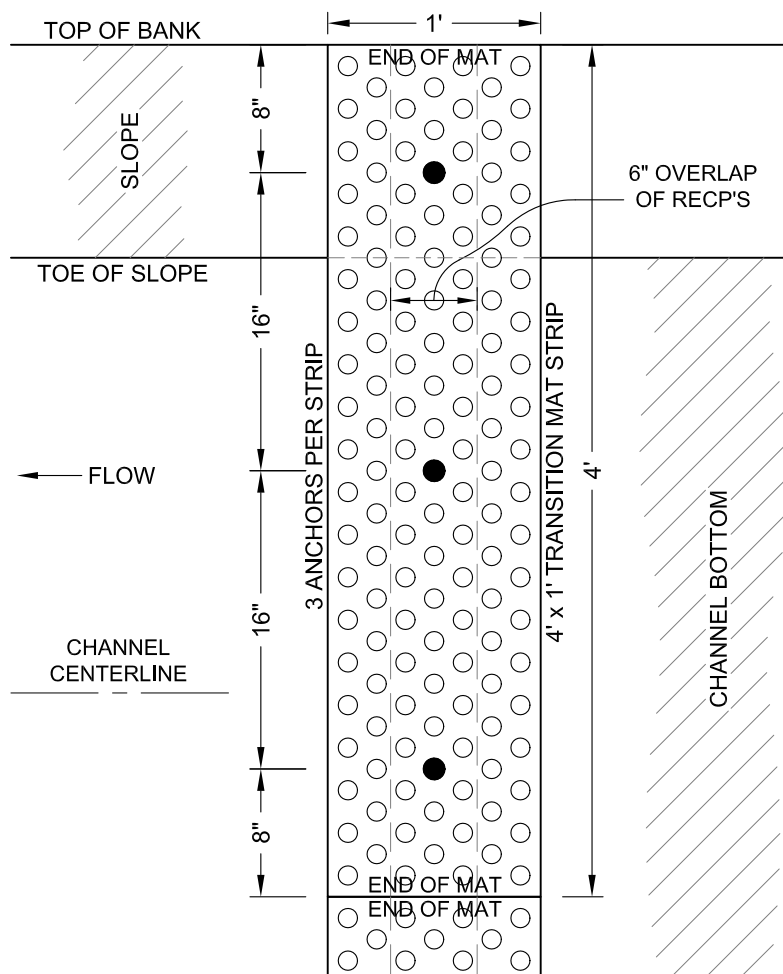
- TYPICAL INSTALLATION WITH EROSION CONTROL  
BLANKETS OR TURF REINFORCEMENT MATS

## SECTION VIEW



NOTE: DEPENDING ON SLOPE, THESE CHANNEL REINFORCEMENTS  
ARE RECOMMENDED AT 25-50 FT INTERVALS

## TOP VIEW



TRADITIONAL CHECK SLOT AT RECP OVERLAP IS THE MOST COMMON AREA OF UNDER-CUTTING AND EROSION BECAUSE THE REPLACED TOPSOIL IS IMPOSSIBLE TO COMPACT AND THE FIRST SOIL TO BE ERODED BY WATER FLOW.

TRANSITION MAT CHECK SLOT MAINTAINS IN SITU SOIL INTEGRITY AND COMPACTION, REINFORCES THE OVERLAP ENDS OF THE RECP, AND FORMS A PERMANENT BARRIER TO UNDER-CUTTING AND GULLY FORMATION.